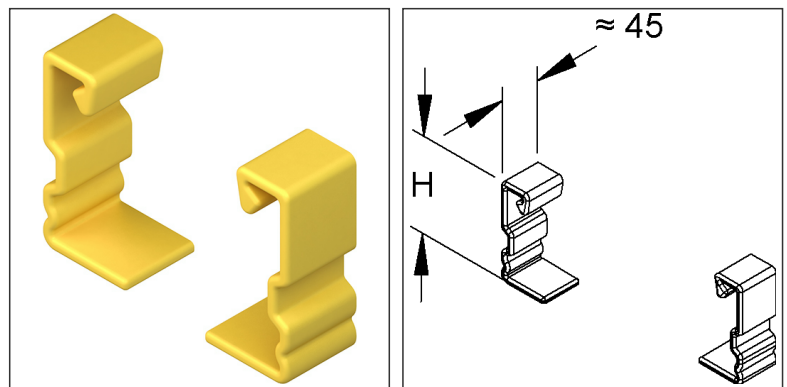
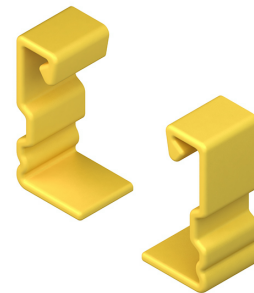


Pair of Protective Caps

SKWHM 105

EAN Code: 4013339939350
 Smallest packaging unit: 10 pairs

the photorealistic images are to be considered as reference images



Article Description

Pair of protective caps, height 105 mm, plastics, PVC-soft, colour yellow

Additional Price Information

Article group	N13
quantity unit	pair

Weight

Weight per quantity unit	112 g/ pair
Weight in kg per 100	11 kg/ 100pair

Physical Article Dimensions

Height	109.50 mm
Width	54.50 mm
Depth/length	44.00 mm

Technical Datasheet

Long Span Cable Ladder

SKWHM 105

the photorealistic images are to be considered as reference images

Packing Dimension

1 pair = 1 pair					
Lenght	44.00 mm	Width	55.00 mm	Height	110.00 mm
Gross weight	0,11 kg	Volume	0,000 m ³		
Min. quantity	1.00 pair	Max. Quantity	1.00 pair		

10 pairs = 1 carton		✓ VP2-smallest Packaging Unit (PU)		✓ VP2-preferred PU	
Lenght	250 mm	Width	250 mm	Height	100.00 mm
Gross weight	1,48 kg	Volume	0,006 m ³		
Min. Quantity	10.00 pair	Max. Quantity	10.00 pair		

360 pairs = 1					
Lenght	750 mm	Width	750 mm	Height	730 mm
Gross weight	93 kg	Volume	0,411 m ³		
Min. Quantity	360.00 pair	Max. Quantity	360.00 pair		

Tender Text

Pair of protective caps, to cover the ends of the wide span cable ladder. To ensure that the protective cap pair can be fitted without any problems, a distance of at least 50 mm from the end of the profile must be kept free. The pair of protective caps must be installed in personal danger areas!
 Used for : wide span cable ladders with 105 mm edge height
 Dimensions (approx. dimensions)
 Height H x Length L : 105 x 45 mm
 Colour : yellow
 Material : soft PVC (polyvinyl chloride)
 NIEDAX Model No. : SKWHM 105
 EP Material_____ EP Lohn_____
 Unit price/pair

Safety & Environment

REACH Date	05.11.2025
REACH Info	Conformable
RoHS Info	Conformable

Origin & International Trade

Country of origin	DE
Customs tariff number	39259080